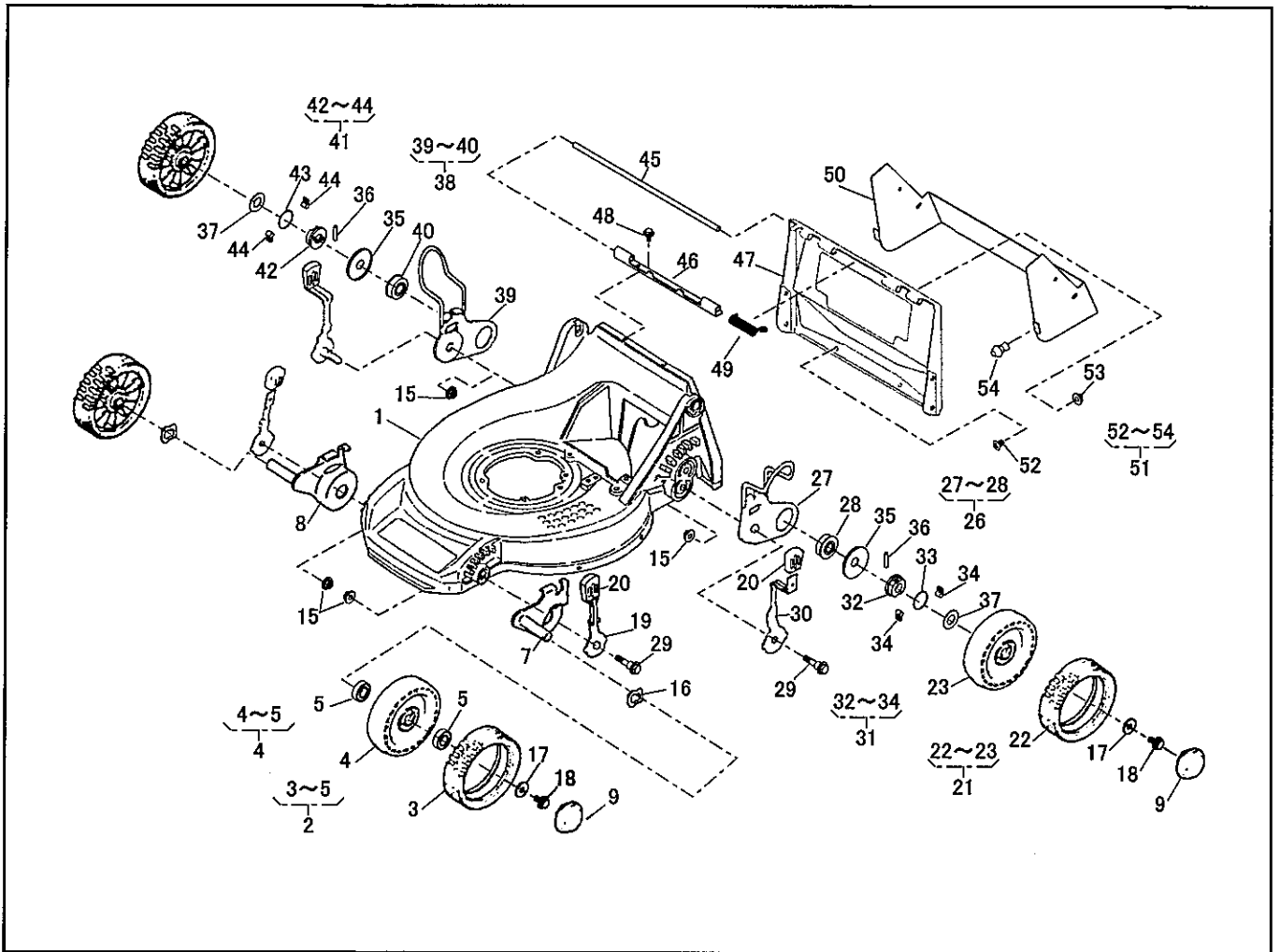


## PARTS LIST

MODEL : LM5350KX (KAAZ)

46014-128

REF. No.	PARTS No.		PARTS NAME	GRASS-CUTTING		2/2	Jan.26,2003
				QTY	PRICE( )	RECOMM.(%)	REMARKS
				INCLUDING		Lot.100	
28	671V	1000	CONICAL SPRING WASHER	1		3	M10
29	31057	182	HEXAGON BOLT	1		3	
30	36065	397	COVER	1		3	
31	342L	0616	FLANGE BOLT TAPPING	1		3	M6×16
32	71182	108	BRAKE SET	1		-	
33	71067	110	BRAKE ASSY	1		3	
34	L5129	4700	BOLT	4		5	
35	68013	320	SPRING	4		3	
36	661L	0800	WASHER	4		5	M8
37	L0574	9600	WASHER	1		3	
38	61024	149	SPACER	1		3	
39	68013	355	SPRING	1		3	
40	11083	270	COLLOR	1		3	
41	671V	0600	CONICAL SPRING WASHER	1		3	M6
42	342J	0620	FLANGE BOLT TAPPING	1		3	M6×20
43	68055	151	JOINT	1		3	
44	31056	125	GIB-HEADED PIN	1		3	
45	68036	137	WASHER	1		5	
46	726L	0216	SPLIT PIN	1		3	φ2×16
47							
48							
49	36046	118	SAFETY GUARD	1		3	
50	11012	126	HANGER BAND	2		3	
51	335L	0616	FLANGE BOLT	2		15	M6×16
52	342J	0610	FLANGE BOLT TAPPING	1		3	M6×10

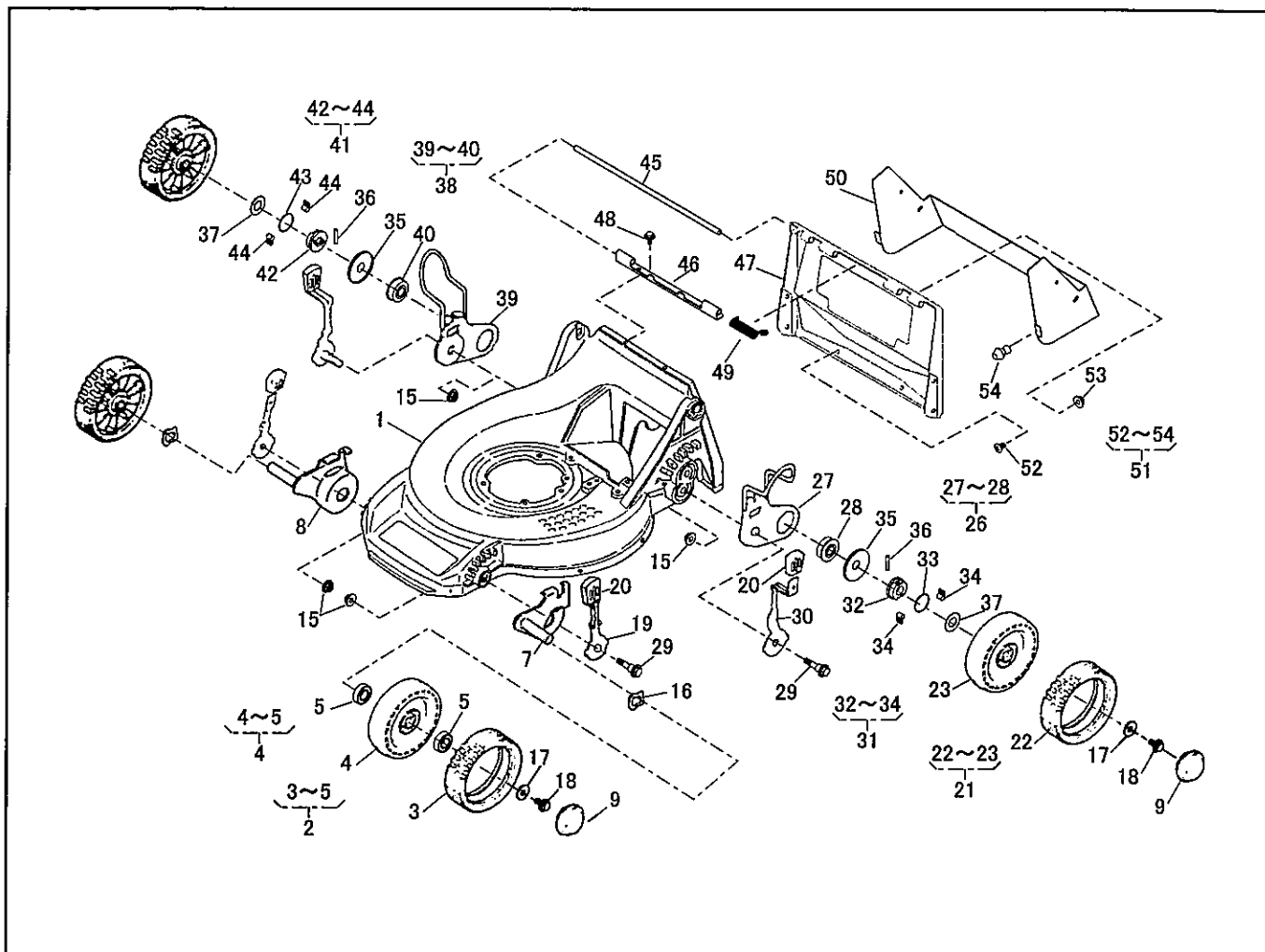


## PARTS LIST

MODEL : LM5350KX (KAAZ)

46014-128

REF. No.	PARTS No.	PARTS NAME	WHEEL		1/2	RECOMM.(%) Lot.100	REMARKS
			Q'TY INCLUDING	PRICE( )			
1	51043   136   42	HOUSING	1			3	
2	71041   103	WHEEL ASSY	2			3	
3	91086   102	TIRE	2			15	
4	36107   102	WHEEL	2			3	
5	932L   0696	BEARING		4		5	
6							
7	11142   112	ADJUSTER	2			5	
8	11142   113	ADJUSTER	2			5	
9	36070   110	CAP	4			3	
10							
11							
12							
13							
14							
15	569L   0800	FLANGE NYLON NUT	4			10	M8
16	664V   0626	WAVE SPRING WASHER	2			5	
17	68036   101	WASHER	4			3	
18	31057   181	HEXAGON BOLT	4			3	
19	11150   101   09	ADJUST LEVER	2			5	
20	36061   121	KNOB	4			3	
21	71041   112	WHEEL ASSY	2			3	
22	91086   106	TIRE		2		15	
23	36107   101	WHEEL		2		3	
24							
25							
26	71122   101	ADJUSTER ASSY(L)	1			-	
27	11142   104	ADJUSTER		1		3	

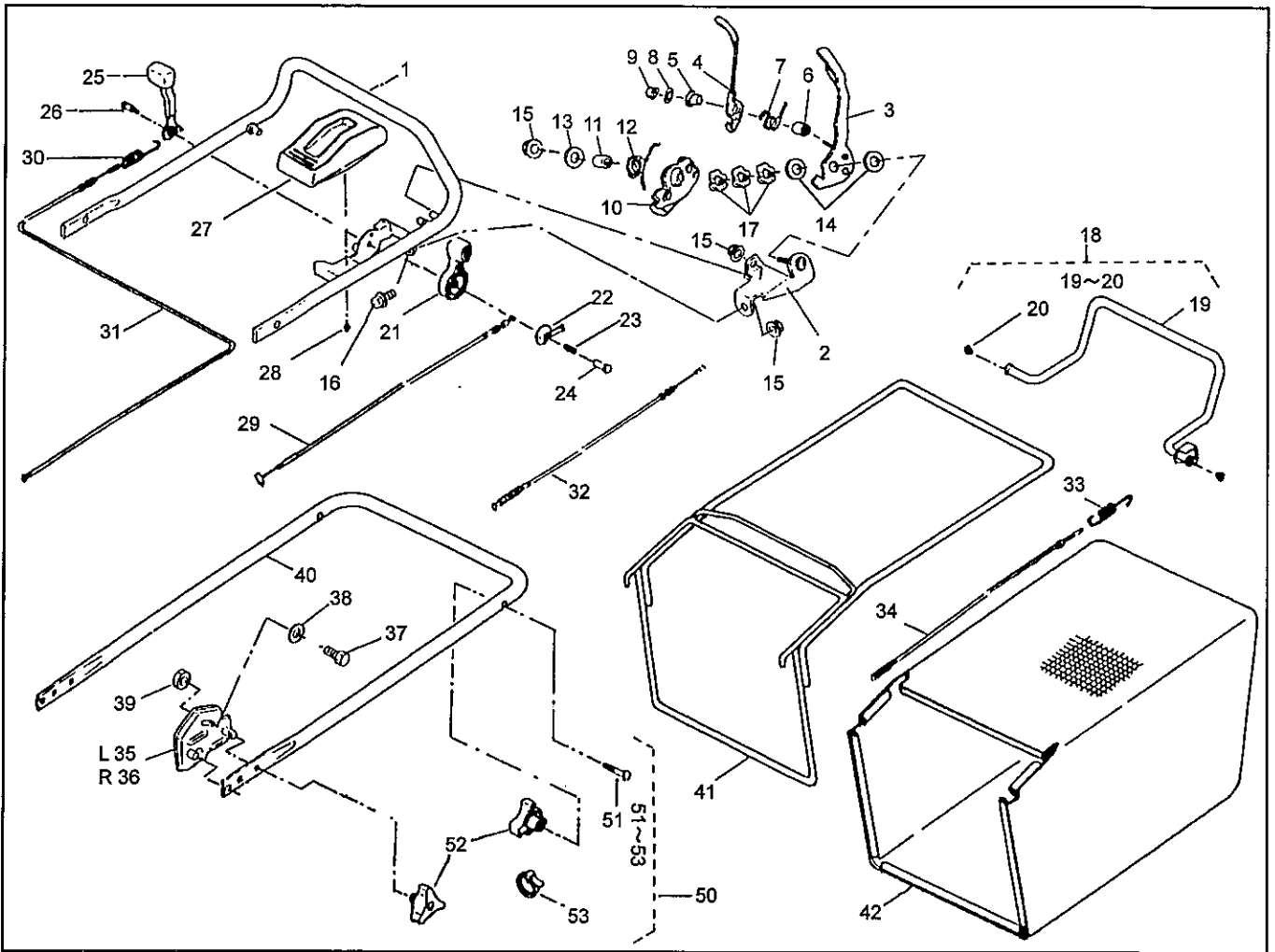


## PARTS LIST

MODEL : LM5350KX (KAAZ)

46014-128

REF. No.	PARTS No.	PARTS NAME	WHEEL		PRICE( )	2/2		REMARKS
			Q'TY	INCLUDING		RECOMM.(%)	Lot.100	
28	945L 0349	BEARING	1			10		
29	31057 132	HEXAGON BOLT	4			5		
30	11150 102 09	ADJUST LEVER	2			5		
31	71158 102	RATCHET ASSY(L)	1			-		
32	11102 138	HOLDER	1			3		
33	68013 266	SPRING	1			5		
34	31034 170	PIN	2			3		
35	61003 112	THRUST PLATE	2			10		
36	31034 137	PIN	2			10		
37	68036 146	WASHER	2			3		
38	71122 102	ADJUSTER ASSY(R)	1			-		
39	11142 105	ADJUSTER	1			3		
40	945L 0349	BEARING	1			10		
41	71158 101	RATCHET ASSY(R)	1			3		
42	11102 138	HOLDER	1			3		
43	68013 266	SPRING	1			5		
44	31034 170	PIN	2			3		
45	64014 234	SHAFT	1			3		
46	11113 292	STAY	1			3		
47	36068 171 46	GUARD	1			3		
48	342J 0612	FLANGE BOLT TAPPING	2			3		M6×12
49	68013 336	SPRING	1			3		
50	36065 298 09	COVER	1			3		
51	71137 194	BOLT AND NUT SET	1			-		
52	376L 0508	(+)TRUSS SCREW	6			3		M5×8
53	579L 0500	FLANGE NUT	6			3		M5
54	36006 113	ABSORBER	2			10		



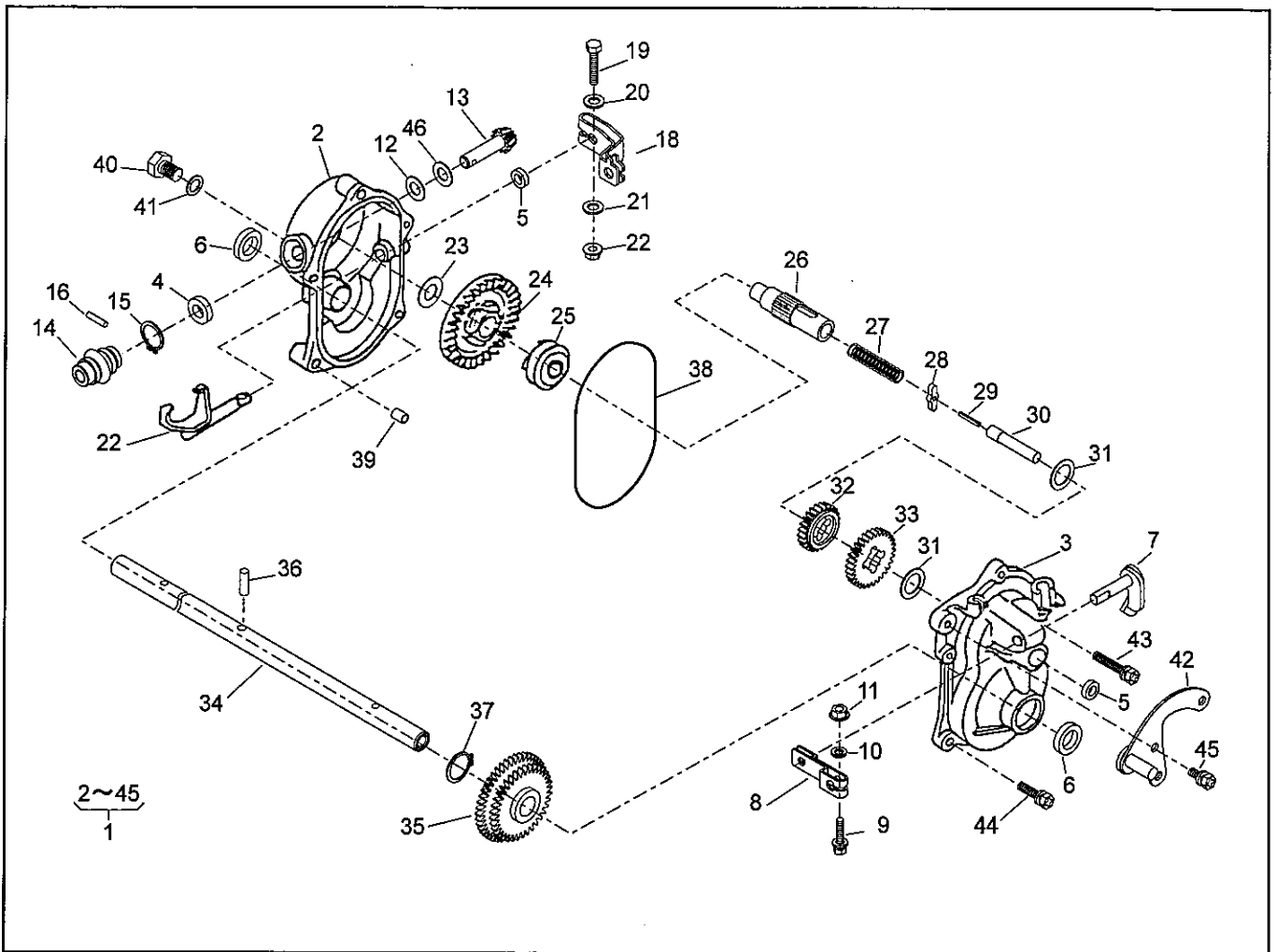
## PARTS LIST

MODEL : LM5350KX (KAAZ)

46014-128

REF. No.	PARTS No.	PARTS NAME	HANDLE		1/2	RECOMM.(%) Lot.100	REMARKS
			Q'TY	PRICE( )			
			INCLUDING				
1	51027 242	HANDLE	1			3	
2	11113 396 09	STAY	1			5	
3	11095 160 09	LEVER	1			10	
4	11095 161 09	LEVER	1			10	
5	76007 131	BUSH	1			10	
6	61024 206	SPACER	1			5	
7	68013 334	SPRING	1			5	
8	68036 198	WASHER	1			3	
9	563L 0600	U-HEXAGON CAP NUT	1			5	M6
10	11109 108	LINK	1			5	
11	61024 207	SPACER	1			10	
12	68013 335	SPRING	1			10	
13	68036 262	WASHER	1			5	
14	68036 200	WASHER	2			5	
15	569L 0800	FLANGE NYLON NUT	3			5	M8
16	335L 0820	FLANGE BOLT	1			3	M8 × 20
17	664J 1600	WAVE SPRING WASHER	3			3	M16
18	71161 111 09	LEVER ASSY	1			-	
19		LEVER		1		-	
20	76007 131	BUSH		2		15	
21	91010 147	THROTTLE LEVER	1			10	
22	61003 113	THRUST PLATE	1			5	
23	68013 356	SPRING	1			3	
24	31058 168	HEXAGON NUT	1			3	
25	11095 117	LEVER	1			3	
26	31062 109	PRE-COAT LOCK BOLT	1			5	
27	71900 794	COVER ASSY	1			3	





## PARTS LIST

MODEL : LM5350KX (KAAZ)

46014-128

REF. No.	PARTS No.		PARTS NAME	GEAR CASE			1/2	RECOMM.(%) Lot.100	REMARKS
				QTY	PRICE( )				
				INCLUDING					
1	71008	275	GEAR CASE ASSY	1			-		
2	51001	195	GEAR CASE	1			3		
3	51001	196	GEAR CASE	1			3		
4	61002	161	OIL SEAL	1			5	SD 10 20 5	
5	61002	162	OIL SEAL	2			5	SD 8 14 4	
6	61002	163	OIL SEAL	2			5	SD 15 24 5	
7	64024	104	THIFTER SHAFT	1			3		
8	11104	119	ARM	1			3		
9	320L	0525	HEXAGON BOLT(PW)	1			3	M5 × 25	
10	611L	0500	PLAIN WASHER	1			3	M5	
11	571L	0500	FLANGE NUT	1			3	M5	
12	61003	109	THRUST PLATE	1			5		
13	78003	111	PINION	1			3		
14	91097	101	UNIVERSAL JOINT	1			3		
15	812V	2000	C-SNAP RING FOR SHAFT		1		1	φ 20	
16	717B	0418	PARALLEL PIN		1		3	φ 4 × 18	
17	11097	106	SHIFTER FORK	1			3		
18	11104	137	ARM	1			3		
19	311M	0630	(+)HEXAGON BOLT	1			3	M6 × 30	
20	611L	0600	PLAIN WASHER	1			3	M6	
21	613L	0600	PLAIN WASHER	1			3	M6	
22	571L	0600	FLANGE NUT	1			3	M6	
23	61024	117	SPACER	1			5		
24	78001	136	BEVEL GEAR	1			3		
25	11129	107	CLUTCH	1			3		
26	64014	236	SHAFT	1			3		
27	68013	262	SPRING	1			3		

